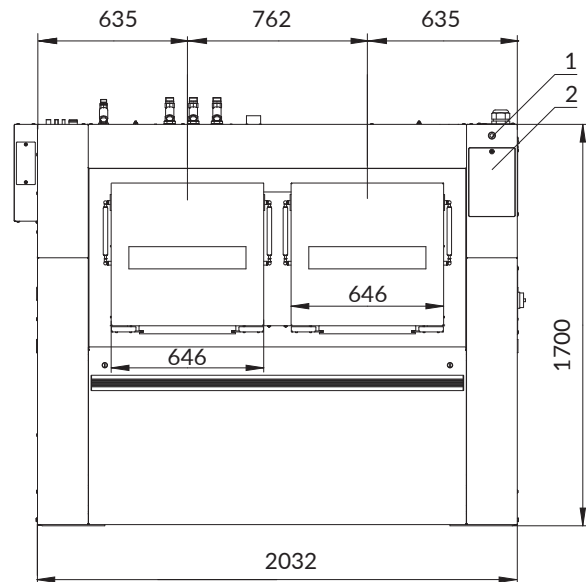
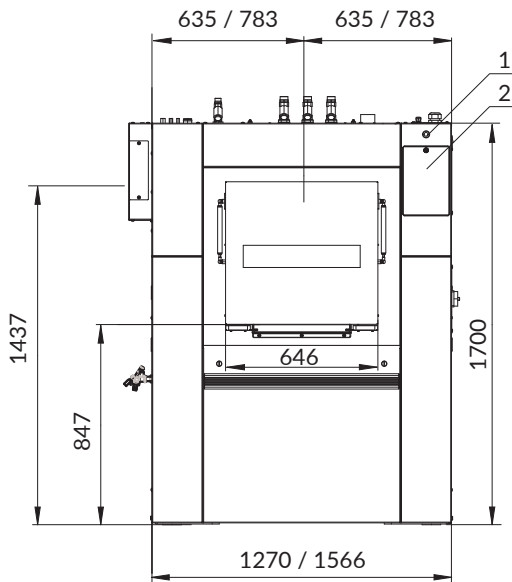


On-Premises Barrier Washer-Extractors

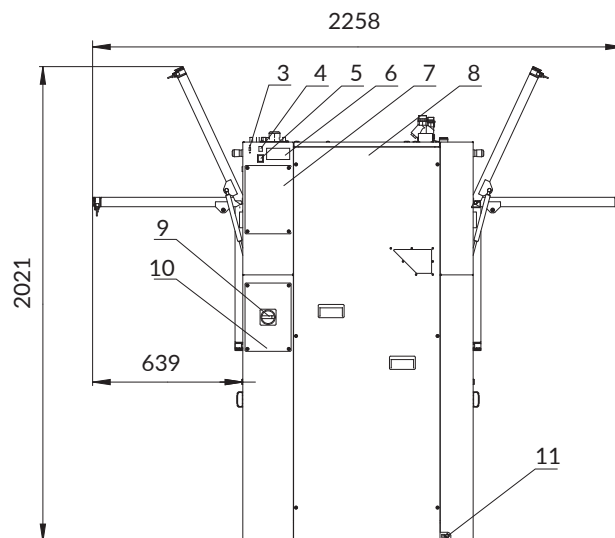
Dimensions

36 / 50 kg

70 kg



36, 50, 70 kg



- 1 Emergency stop
- 2 Control panel
- 3 USB Port
- 4 PC Programming Connection

- 5 Switch: Steam / Electric Heating
- 6 Serial Plate
- 7 Electrical Signals Liquid Soap Cover
- 8 Electrical Components with Frequency Inverter Cover

- 9 Main Switch Cover
- 10 Main Switch
- 11 Equipotential Bonding Terminal

QUH DUWRQ/DQU6VWHPV
 &ROHEDU6WUHHW:HVVWDFLD5LH4/
 3
)D
 :DQUHEDUWRQFRPD
 (LQIRDQUHEDUWRQFRPD
 6HULFLQ4HHQVODQ